



# GFT7021

## 40ps to 250ps Pulse Generator

### Features

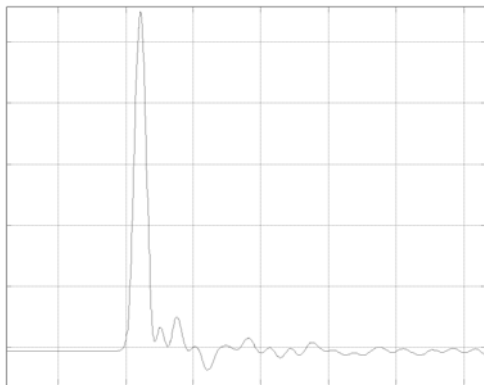
- Generate short pulses  
40ps to 250ps tunable width  
> 2V amplitude under 50Ω
- External clock: Repetition rate up to 3GHz
- Operate from 110/220 V
- Upcoming options (available end of 2017)  
Internal trigger  
Burst mode  
Control via Ethernet / USB  
Optical output



### Applications

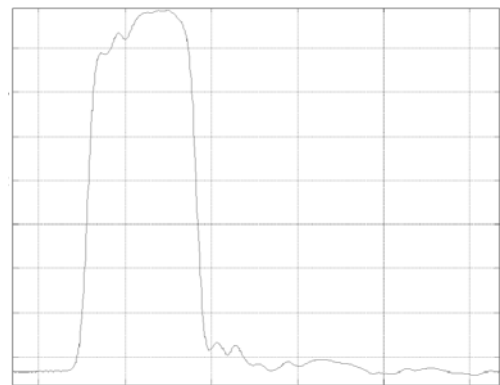
- Driving LN modulator
- RF comb source
- Semiconductor device testing
- Time calibration of instrument

### Typical Output Waveform



( 0.4V/div, 0.2ns/div)

40ps width(FWHM), 2.22V Amplitude



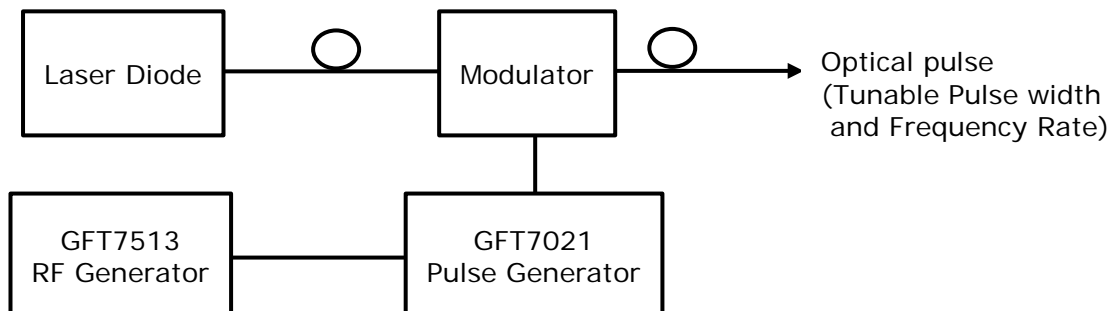
( 0.4V/div, 0.2ns/div)

273ps width(FWHM) 3.262V Amplitude

### Description

The GFT7021 is an external clock triggered short pulse generator. This compact module delivers up to 2V under 50Ω, 40ps to 250ps width pulses.

GFT7021 is ideal solution for generating fast Rise-Time optical pulses by driving LN modulators. The pulse width is simple adjust between 40 to 250ps thanks to a mechanical knob

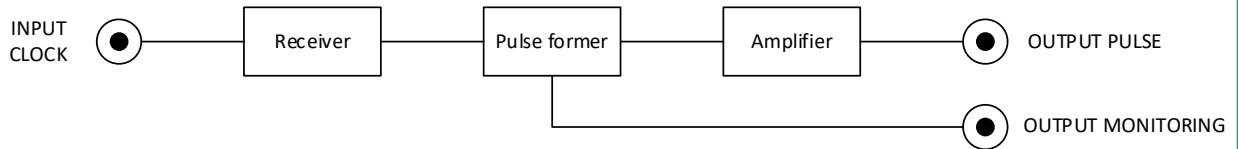


*Typical application : Generating fast Optical Pulse*



# GFT7021

## 40ps to 250ps Pulse Generator



Block diagram

### Specifications

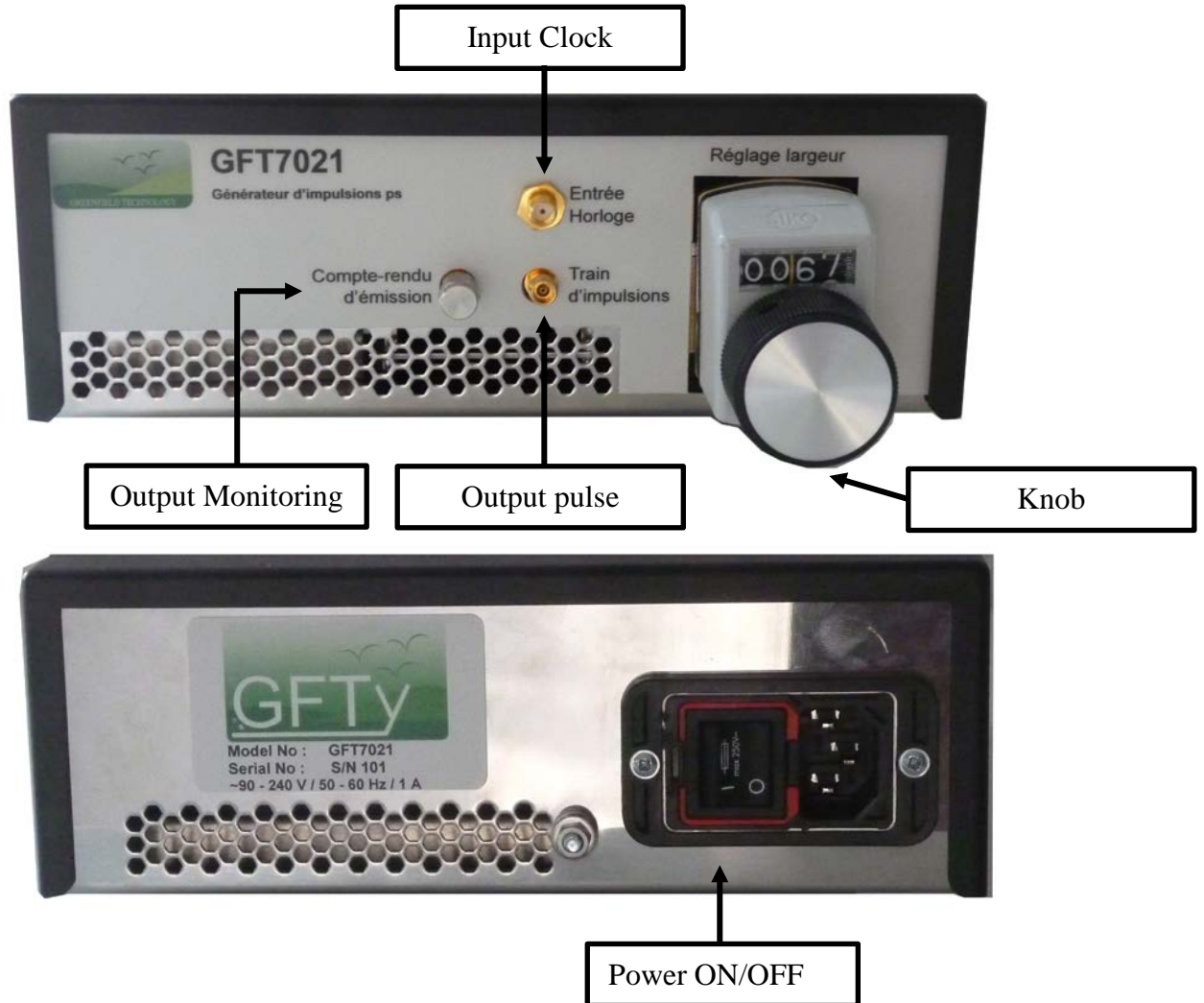
<b>Input Clock</b>	
Signal Shape	Sine or Square
Sensitivity	> -20dBm
Internal terminaison	50 Ω
Threshold	+0V
Repetition rate	1MHz to 3GHz
Connector	SMA
<b>Output Pulse</b>	
Pulse shape	Impulse
Width (FWHM)	Tunable 40ps to 250 ps continuously with the knob (resolution < 0.1ps)
Rise Time	< 30 ps
Amplitude	> 2V pp
Frequency stability	10ppm (additive)
Insertion Delay	< 5 ns
Jitter RMS	< 2 ps
Connector	K – compatible SMA
<b>Output monitoring</b>	
Amplitude	400mV/50Ω
Width	40ps to 250ps
Connector	K – compatible SMA
<b>General</b>	
Size (W x H x D)	270 mm x 82 mm X 202 mm
Power Supply	AC 90 to 240V / 10 W max.



# GFT7021

## 40ps to 250ps Pulse Generator

### Front and Rear panel view



### Connectors, switch, indicators

Front Panel	
Input clock	SMA connector
Output pulse	K connector
Output monitoring	K connector
Knob	Tune pulse width

Rear Panel	
Plug	AC power plug (90 - 240V)
I/O	Power ON /OFF switch

### Ordering information

Model	Description
GFT7021	40ps to 250ps Pulse Generator